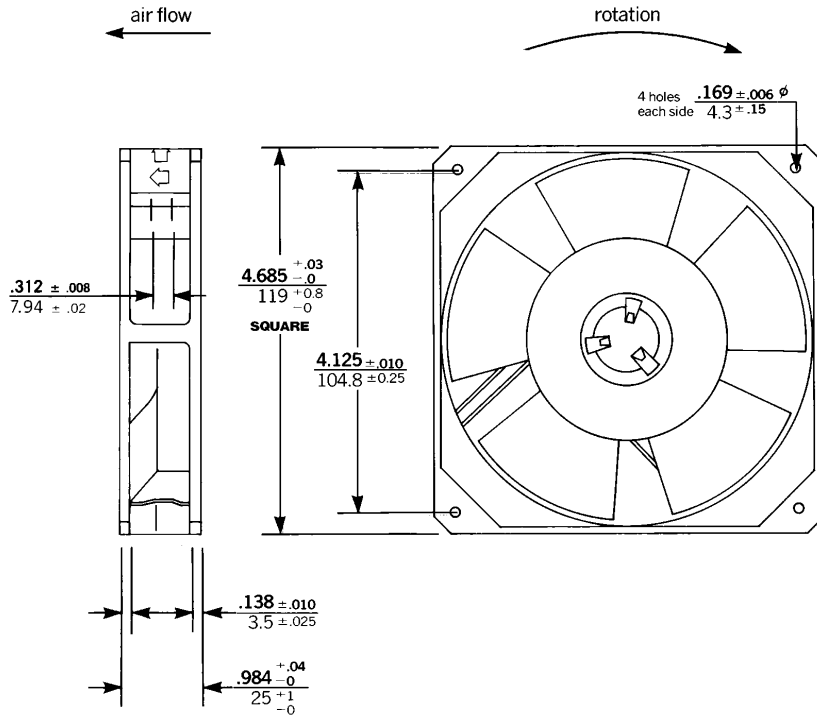


# AC FANS

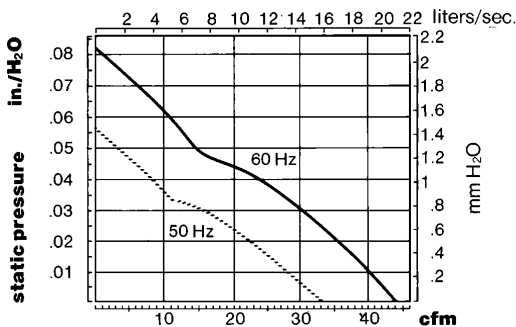
## Model 98

Size: 120 mm x 25 mm (4.69" x 1")

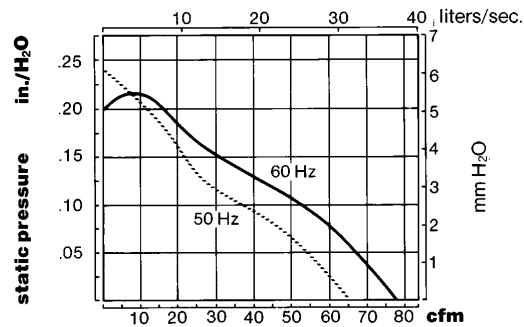


Part Number	Bearings	Voltage(VAC)	Frequency(Hz)	Current(mA)	Input(watts)	Noise(dBA)	Speed(rpm)	Airflow(cfm)
98XH-2182-000	Sleeve	115	50/60	135/110	13/11	41/44	2550/3000	66/79
98XH-0182-020	Ball							
98XH-2181-000	Sleeve	220	50/60	80/65	15/13	41/44	2550/3000	66/79
98XH-0181-000	Ball							
98XC-2182-000	Sleeve	115	50/60	130/110	12/10	32/35	1300/1700	34/45
98XC-0182-000	Ball							
98XC-2181-000	Sleeve	220	50/60	80/70	14/12	32/35	1300/1700	34/45
98XC-0181-000	Ball							

### 98XC Performance Curve



### 98XH Performance Curve



# ETRI Model 98 AC FANS

Size: 120 mm x 25 mm (4.69" x 1")



## ELECTRICAL SPECIFICATIONS

Item	Specification	Conditions/Tolerances
Motor type	shaded pole	2 pole type
Rated Voltage	115 VAC or 220 VAC	±10%
Frequency	50/60 Hz.	Able to operate at either frequency
Input Current	At nominal voltage	±10%
Input Power	At nominal voltage	±10%
Max air flow / Back pressure	All tested in submerged orifice chamber	±4% cfm/±8% pressure
Dielectric strength	2250 VAC	5 sec, 4mA leakage
Electrical Connection	"110" Faston terminals	
Speed	At nominal voltage	±4%

## MECHANICAL SPECIFICATIONS

Item	Specification	Conditions
Life expectancy	50,000 hours	continuous operation @ 25°C, 65% relative humidity
Bearing	ball bearing/sleeve bearing	Use under 70°C/Use under 55°C
Airflow direction	air intake over impeller	
Housing material	Zamak (zinc alloy)	single piece die-cast housing
Impeller	Lexan 500-10% glass filled	UL 94V-0
Weight	0. 465 kg. (16.3 oz)	
Rotation	clock-wise viewed from impeller	

## ENVIRONMENTAL SPECIFICATIONS

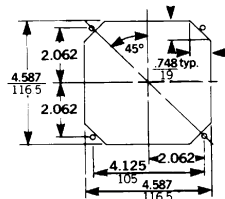
Item	Specification	Conditions
Operating temperature	-10 to +70°C/-10 to +55°C	Ball bearing/Sleeve bearing
Storage temperature	-40 to +70°C	6 months max.
Paint	Black enamel	
Acoustical	Anechoic chamber at free air	Microphone - 1 meter away

## PROTECTION

Item	Specification	Conditions
Locked rotor	impedance protected	
Insulation class	UL class A	
Agency approvals	UL, CSA, VDE*, CE	
Warranty	3 years	

\*VDE approval available on some models. Consult factory.

## PANEL CUT-OUT



## ACCESSORIES

ETRI fans are available with a wide range of accessories, from finger guards to filter assemblies to special termination. Request our accessories brochure or call your nearest distributor for complete details.



1503, Rocky River Road North  
 Monroe, NC 28110 USA  
 Tel: 704.289.5423  
 Fax: 704.283.7170

9-11, rue de Moulin des Bruyères  
 92400 Courbevoie FRANCE  
 Tel: (33-1) 49 04 92 00  
 Fax: (33-1) 47 89 09 38

Website: <http://www.etrinet.com> Email: [sales@etrinet.com](mailto:sales@etrinet.com)